



Product technical sheet

SOLO WD1444



3 - 14 years



3 kids



20,8 m²

Material specification

- The structure is made of a durable, moisture-resistant and low-temperature recycled composite,
- Platforms made of durable anti-slip and waterproof plywood or HPL plate,
- The covers are made of recycled HDPE panel, resistant to weather conditions
- Slides made of stainless steel with sides made of recycled HDPE boards, resistant to atmospheric conditions,
- Stainless steel bars,
- Stainless steel screws and/or screws covered with plastic caps,

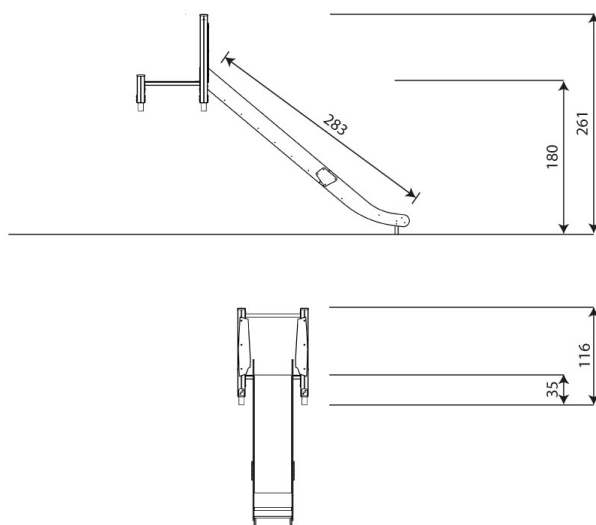
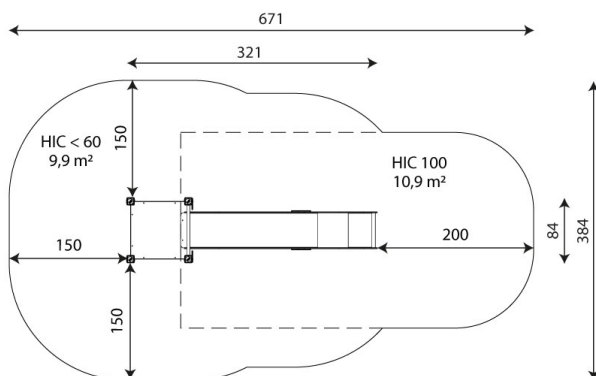


Physical development



sliding





Product technical sheet

SOLO WD1444

Product data

| | |
|--------------------------------|--------------|
| Length | 321 cm |
| Width | 84 cm |
| Total height | 261 cm |
| Age group | 3 - 14 years |
| Number of users | 3 kids |
| Safety zone | 20,8 m2 |
| Free fall height | <60 cm |
| The height of the platforms | 35 cm |
| In accordance with norm EN | 1176-1:2017 |
| Weight of the heaviest part | 55 kg |
| Dimensions of the largest part | 315x52x15 cm |
| Availability of spare parts | YES |
| Installation time | 3,0 h |
| Color options | |

Data is subject to change without prior notice.

Additional information

- equipment intended for public playgrounds;
- equipment has a certificate issued by an accredited entity or a declaration of conformity;
- no sharp edges or chinks that would pose a danger of jimmie the head, fingers or any other body parts;
- anchoring on flat surface, 80/70/60 cm deep;
- slide should not be installed southwards;
- render is for reference only, the actual appearance of the equipment and its color may vary;

Guarantee

30 30 year guarantee - Structural strength of steel and stainless steel components

15 15 year guarantee - Structural failure of steel and stainless steel, for dynamic equipment

10 10 year guarantee - Structural failure of high density polyethylene and high pressure laminates components

5 5 year guarantee - Corrosion of stainless steel and hot dip galvanized and powder coated components; against bark beetles and rot in case of wooden structural elements

Detailed information in the guarantee card



Surfaces according to EN 1176-1:2017

| | Description (mm) | Layer thickness (cm) | Maximum fall heights (cm) |
|---------------------------------|------------------------------|----------------------|---------------------------|
| Turf/ top layer of soil (A,B,C) | - | - | ≤100 |
| bark (A,C) | Particle size from 20 to 80 | 30 | ≤200 |
| | | 40 | ≤300 |
| woodchips (A,C) | Particle size from 5 to 30 | 30 | ≤200 |
| | | 40 | ≤300 |
| sand or gravel (A,C) | Particle size from 0,25 to 8 | 30 | ≤200 |
| | | 40 | ≤300 |
| synthetic attested (A,B,C) | Tested according to EN 1177 | | 100 |

Product technical sheet

SOLO WD1444

Amount of safe surface corresponding with free fall height:

HIC <60 9,9 m²

HIC 100 10,9 m²

Data is subject to change without prior notice.

