

Product technical sheet

WORKOUT PRO RB2351



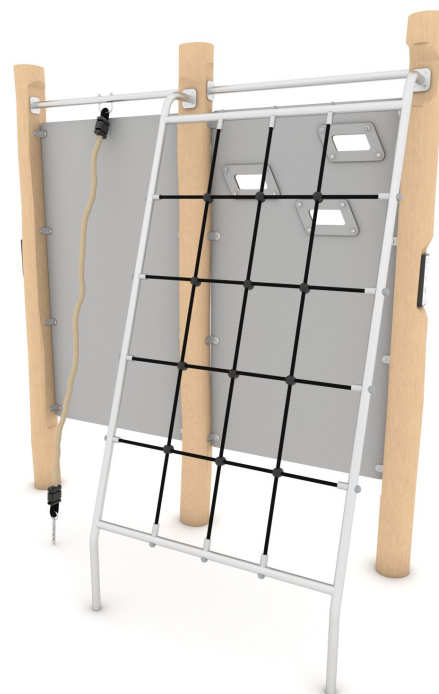
14+



< 140 kg



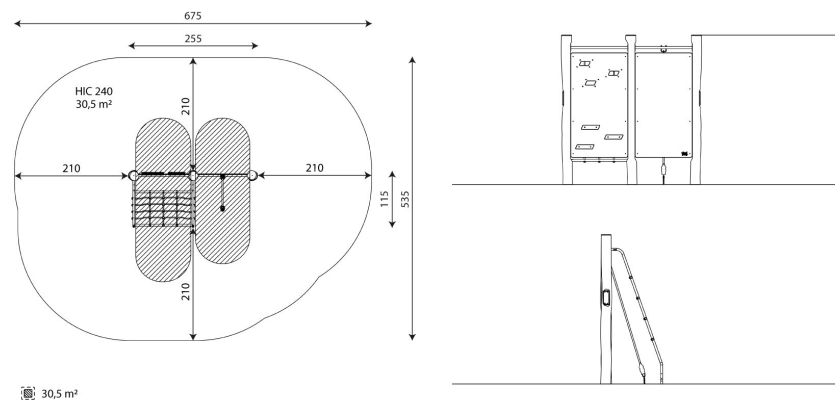
30,5 m²



Product data

Length	255 cm
Width	115 cm
Total height	265 cm
Age group	14+ years
Maximum weight of user	140 kg
Safety zone	30,5 m ²
Free fall height	240 cm
In accordance with norm EN	16630:2015
Weight of the heaviest part	51 kg
Dimensions of the largest part	340x18x18 cm
Availability of spare parts	YES
Color options	

Data is subject to change without prior notice.



Vinci Sp. z o.o.
Seminaryjna 9 Street
99-400 Łowicz

VAT: 534-265-18-84
PHONE: +48 42 203 24 99 ext. 26
M: +48 793 404 991

04/11/2025

workout
pro

biuro@vinci-play.com
info@vinci-play.com
www.vinci-play.com

Material specification



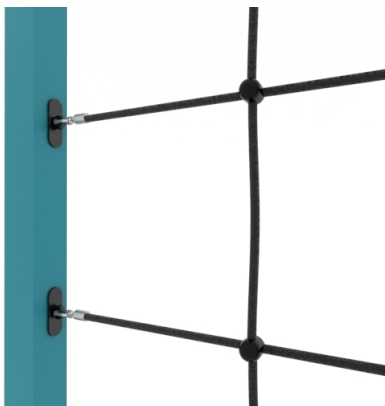
Construction made of Robinia - very durable acacia wood with a diameter of ~ 18 cm without sharp edges, resistant to weather conditions,



Aluminum exercise instructions plate screwed to HDPE plate, resistant to weather conditions,



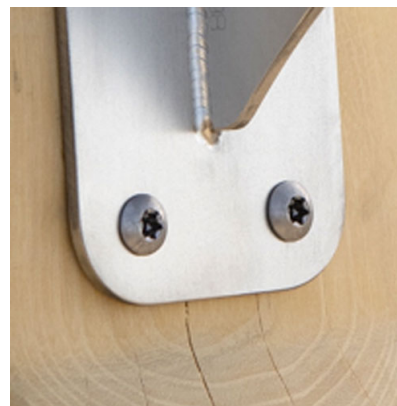
Exercise wall made of durable HPL plate, resistant to weather conditions,



Steel ropes in polypropylene braid, connected with durable plastic elements, stainless steel or aluminum,



Stainless steel bars and handrails,



Stainless steel screws and/or screws covered with plastic caps,

Additional information

- device intended for public outdoor gyms;
- equipment has a certificate issued by an accredited entity or a declaration of conformity;
- no sharp edges or chinks that would pose a danger of jamming the head, fingers or any other body parts;
- anchoring on flat surface, 100 cm deep;
- render is for reference only, the actual appearance of the equipment and its color may vary;

Guarantee

30 30 year guarantee - Durability of steel and stainless steel structural elements

15 15 year guarantee - Durability of steel and stainless steel structures of mobile devices; durability of Robinia wood structural elements

10 10 year guarantee - Structural strength of HDPE, 100% recycled HDPE and HPL elements; structural elements made of 100% recycled material (composite)

5 5 year guarantee - Corrosion resistance of stainless steel and hot-dip galvanized and powder-coated steel elements, resistance to bark beetles and rotting of wooden structural elements

Detailed information in the guarantee card

Vinci Sp. z o.o.
Seminaryjna 9 Street
99-400 Łowicz

VAT: 534-265-18-84
PHONE: +48 42 203 24 99 ext. 26
M: +48 793 404 991

04/11/2025

workout
pro

biuro@vinci-play.com
info@vinci-play.com
www.vinci-play.com

2 / 3

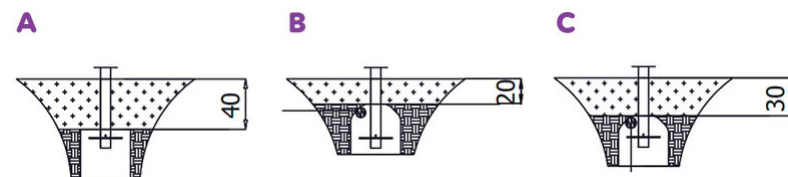
Amount of safe surface corresponding with free fall height:

HIC 240 30,5 m²

Data is subject to change without prior notice.

Surfaces according to EN 16630:2015

	Description (mm)	Layer thickness (cm)	Maximum fall height (cm)
Concrete / stone / bituminous surfaces (A, B, C)	-	-	≤100
outer soil layer (A,B,C)	-	-	≤120
Turf (A,B,C)	-	-	≤150
bark (A,C)	Particle size from 20 to 80	30	≤200
		40	≤300
wood shavings/cuttings (A, C)	Particle size from 5 to 30	30	≤200
		40	≤300
sand (A,C)	Particle size from 0,2 to 2 mm	30	≤200
		40	≤300
gravel (A,C)	Particle size from 2 to 8	30	≤200
		40	≤300
attested synthetic (A, B, C)	Tested according to EN 1177		240



Vinci Sp. z o.o.
Seminaryjna 9 Street
99-400 Łowicz

VAT: 534-265-18-84
PHONE: +48 42 203 24 99 ext. 26
M: +48 793 404 991

04/11/2025

workout
pro

biuro@vinci-play.com
info@vinci-play.com
www.vinci-play.com

3 / 3