

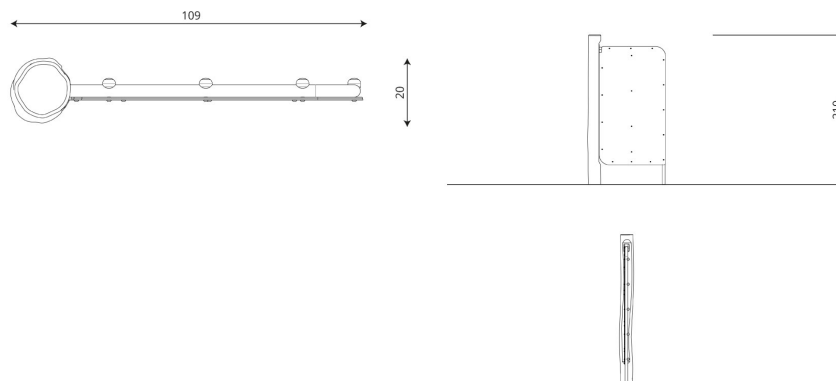
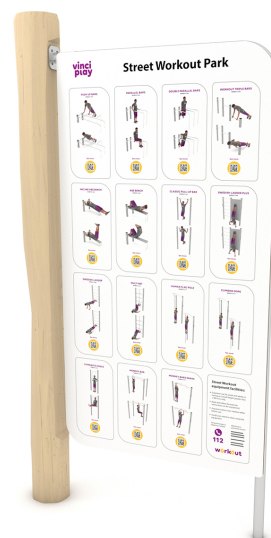
Product technical sheet

WORKOUT RB2399

Product data

Length	109 cm
Width	20 cm
Total height	210 cm
Weight of the heaviest part	68 kg
Dimensions of the largest part	18x18x210 cm
Availability of spare parts	YES
Installation time	1 h

Data is subject to change without prior notice.



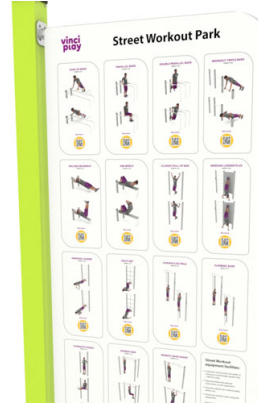
Material specification



Construction made of Robinia - very durable acacia wood with a diameter of ~ 18 cm without sharp edges, resistant to weather conditions,



Stainless steel bars and handrails,



The board made of an aluminum composite plate with a polyethylene core (dibond), resistant to temperature changes,



Stainless steel screws and/or screws covered with plastic caps,

Additional information

- small architecture;
- anchoring on flat surface, 80 cm deep;
- render is for reference only, the actual appearance of the equipment and its color may vary;

Guarantee

- 30** 30 year guarantee - Structural strength of steel and stainless steel components
- 15** 15 year guarantee - Structural failure of steel and stainless steel, for dynamic equipment
- 10** 10 year guarantee - Structural failure of high density polyethylene and high pressure laminates components
- 5** 5 year guarantee - Corrosion of stainless steel and hot dip galvanized and powder coated components; against bark beetles and rot in case of wooden structural elements

Detailed information in the guarantee card

Vinci Group Sp. z o.o.
Seminaryjna 9 Street
99-400 Łowicz

VAT: 534-250-14-46
PHONE: +48 42 203 24 99 ext. 26
M: +48 793 404 991

29/08/2023

wòrkout

biuro@vinci-play.com
info@vinci-play.com
www.vinci-play.com

2 / 3

Surfaces according to EN

	Description (mm)	Layer thickness (cm)	Maximum fall height (cm)
Concrete / stone / bituminous surfaces (A, B, C)	-	-	≤100
outer soil layer (A,B,C)	-	-	≤120
Turf (A,B,C)	-	-	≤150
bark (A,C)	Particle size from 20 to 80	30	≤200
		40	≤300
wood shavings/cuttings (A, C)	Particle size from 5 to 30	30	≤200
		40	≤300
sand (A,C)	Particle size from 0,2 to 2 mm	30	≤200
		40	≤300
gravel (A,C)	Particle size from 2 to 8	30	≤200
		40	≤300
attested synthetic (A, B, C)	Tested according to EN 1177		

