

SOLO WP2850



1+



7 kids



15,0 m²

Material specification

- Stainless steel construction,
- Gutter, tanks made of stainless steel, protected from the top with transparent polycarbonate,
- Gutter barriers made of rubber, HDPE and stainless steel,
- Plugs for gutters and tanks made of stainless steel and plastic,
- Water Mill wheel made of stainless steel and polycarbonate,
- Tap made of surgical stainless steel AISI 316, intended for connection to the public water supply network,
- Stainless steel screws and/or screws covered with plastic caps,



Facilitating disability



easy access



Intellectual development

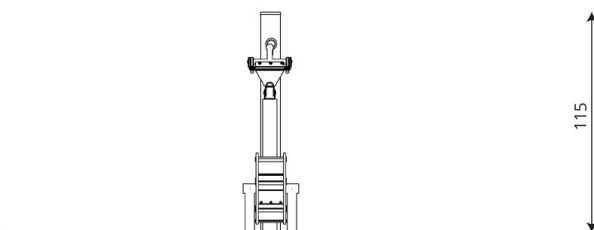
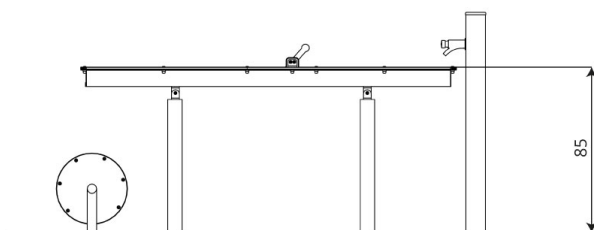
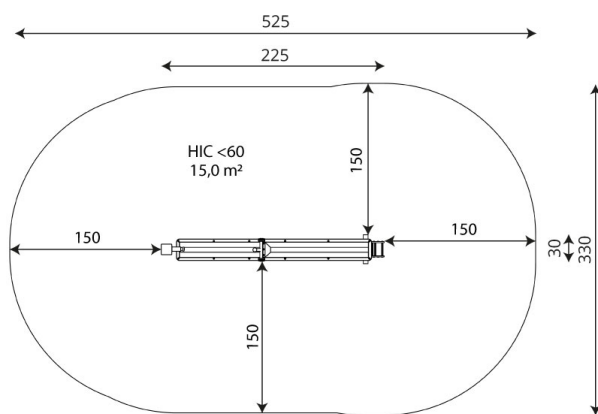


sensorics



thinking





Product technical sheet

SOLO WP2850

Product data

Length	225 cm
Width	30 cm
Total height	115 cm
Age group	1+ years
Number of users	7 kids
Safety zone	15,0 m ²
Free fall height	< 60 cm
In accordance with norm EN	1176-1:2017
Weight of the heaviest part	5,1 kg
Availability of spare parts	YES

Data is subject to change without prior notice.

Additional information

- equipment adapted for the disabled; intended for public playgrounds;
- anchoring on flat surface, 80/70/60 cm deep;
- render is for reference only, the actual appearance of the equipment and its color may vary;

Guarantee

30

30 year guarantee - Structural strength of steel and stainless steel components

15

15 year guarantee - Structural failure of steel and stainless steel, for dynamic equipment

10

10 year guarantee - Structural failure of high density polyethylene and high pressure laminates components

5

5 year guarantee - Corrosion of stainless steel and hot dip galvanized and powder coated components; against bark beetles and rot in case of wooden structural elements

Detailed information in the guarantee card



Surfaces according to EN 1176-1:2017

	Description (mm)	Layer thickness (cm)	Maximum fall heights (cm)
Turf/ top layer of soil (A,B,C)	-	-	≤100
bark (A,C)	Particle size from 20 to 80	30	≤200
		40	≤300
woodchips (A,C)	Particle size from 5 to 30	30	≤200
		40	≤300
sand or gravel (A,C)	Particle size from 0,25 to 8	30	≤200
		40	≤300
synthetic attested (A,B,C)	Tested according to EN 1177		< 60

Product technical sheet

SOLO WP2850

Amount of safe surface corresponding with free fall height:

HIC <60 15,0 m²

Data is subject to change without prior notice.

