

ROBINIA RB1217



5+



39 kids



84,3 m²



Material specification

- Construction made of Robinia - very durable acacia wood with a diameter of ~ 18 cm without sharp edges, resistant to weather conditions,
- Platforms made of Robinia - very durable acacia wood, resistant to weather conditions,
- Steps made of anti-slip and waterproof HPL plate,
- Roofs made of Robinia - very durable acacia wood without sharp edges, resistant to weather conditions
- Side panels made of Robinia - very durable acacia wood without sharp edges, resistant to weather conditions
- Slides made of stainless steel,
- Fireman's pole made of stainless steel,
- Windows made of HPL plate resistant to weather conditions,
- Climbing stones made of durable HPL plate, resistant to weather conditions, and stainless steel,
- Steel ropes in polypropylene braid, connected with durable aluminum, stainless steel and/or plastic elements,
- Certified, durable polypropylene rope 140 x 140 mm,
- Calibrated stainless steel chains, preventing fingers entrapment,
- Screws covered with plastic caps and/or stainless steel screws,



Physical development



balance



hiding



sliding



passage



climbing





2
number of towers



2
number of slides



2
number of roofs



6
number of activity elements

Product technical sheet

ROBINIA RB1217

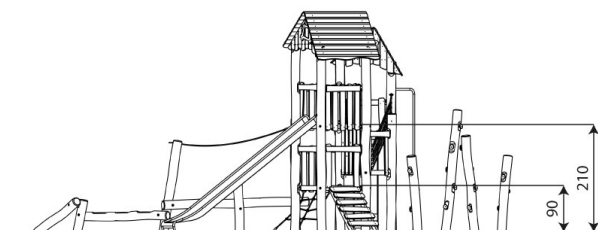
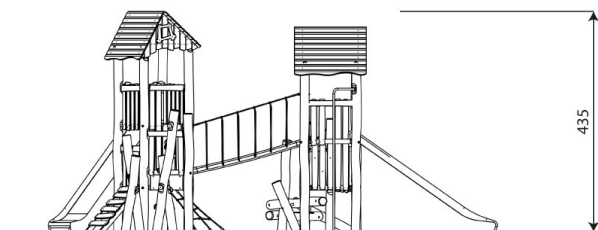
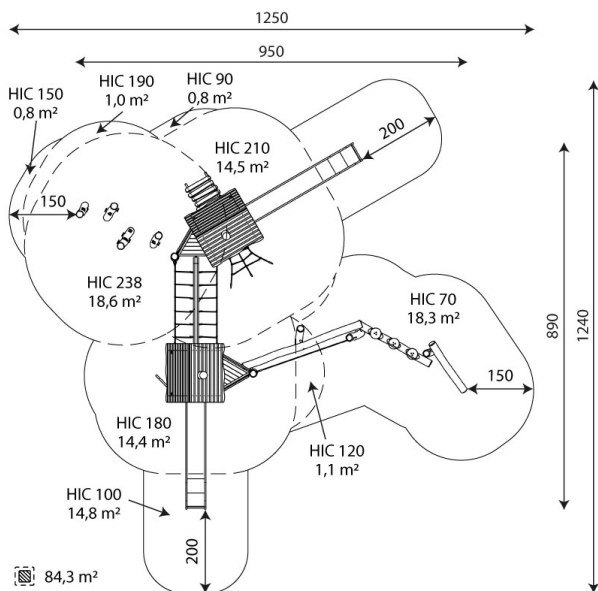
Product data

Length	950 cm
Width	890 cm
Total height	435 cm
Age group	5+ years
Number of users	39 kids
Safety zone	84,3 m2
Free fall height	238 cm
The height of the platforms	90,120,180,210 cm
In accordance with norm EN	1176-1:2017
Weight of the heaviest part	111 kg
Dimensions of the largest part	480x18x18 cm
Availability of spare parts	YES
Installation time	11,5 h

Data is subject to change without prior notice.

Additional information

- equipment intended for public playgrounds;
- equipment has a certificate issued by an accredited entity or a declaration of conformity;
- no sharp edges or chinks that would pose a danger of jamming the head, fingers or any other body parts;
- anchoring on flat surface, 100/80/70/60 cm deep;
- slide should not be installed southwards;
- render is for reference only, the actual appearance of the equipment and its color may vary;



Guarantee

30 30 year guarantee - Structural strength of steel and stainless steel components

15 15 year guarantee - Structural failure of steel and stainless steel, for dynamic equipment

10 10 year guarantee - Structural failure of high density polyethylene and high pressure laminates components

5 5 year guarantee - Corrosion of stainless steel and hot dip galvanized and powder coated components; against bark beetles and rot in case of wooden structural elements

Detailed information in the guarantee card

Vinci Group Sp. z o.o.
Seminaryjna 9 Street
99-400 Łowicz

VAT: 534-250-14-46
PHONE: +48 42 203 24 99 ext. 26
M: +48 793 404 991



biuro@vinci-play.com
info@vinci-play.com
www.vinci-play.com

Surfaces according to EN 1176-1:2017

	Description (mm)	Layer thickness (cm)	Maximum fall heights (cm)
Turf/ top layer of soil (A,B,C)	-	-	≤100
bark (A,C)	Particle size from 20 to 80	30	≤200
		40	≤300
woodchips (A,C)	Particle size from 5 to 30	30	≤200
		40	≤300
sand or gravel (A,C)	Particle size from 0,25 to 8	30	≤200
		40	≤300
synthetic attested (A,B,C)	Tested according to EN 1177		238

Product technical sheet

ROBINIA RB1217

Amount of safe surface corresponding with free fall height:

HIC 70	18,3 m ²
HIC 90	0,8 m ²
HIC 100	14,8 m ²
HIC 120	1,1 m ²
HIC 150	0,8 m ²
HIC 180	14,4 m ²
HIC 190	1,0 m ²
HIC 210	14,5 m ²
HIC 238	18,6 m ²

Data is subject to change without prior notice.

